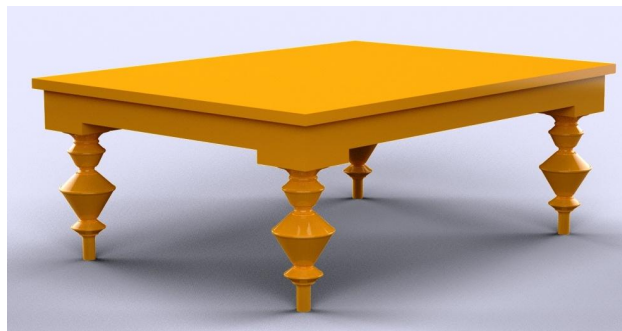


# Introducing the Revo Range....

## By Evostyle

- ① We design unique Commercial Furniture.
- ② Quality craftsmanship, that will last.
- ③ Made in Sydney, Australia.
- ④ We use Cutting Edge Technology.
- ⑤ We are Environmentally Responsible.



furniture • joinery • turning

**T:** 02 9627 6369 **F:** 02 9627 4942  
125 Menin Rd, Oakville NSW 2765  
**E:** [info@evostyle.com.au](mailto:info@evostyle.com.au)  
**W:** [www.evostyle.com.au](http://www.evostyle.com.au)

# Introducing the Revo Range.....

## Circular Deco Cocktail Table

- 1 Inspired by the traditional turned table.
- 2 Designed to withstand a Commercial Environment, made with solid timber
- 3 Unique in it's design, yet still functional.
- 4 Australian designed & manufactured.

**Material:** FCS Timber & EO MR MDF or FCS Timber only

**Finish:** Polyurethane colours or satin with clear poly finish

**Colours:** White/Black/Red Gloss Polyurethane. Other polyurethane colours or Stain colours on request

**Custom sizes:** available between 400mm – 800mm diameter

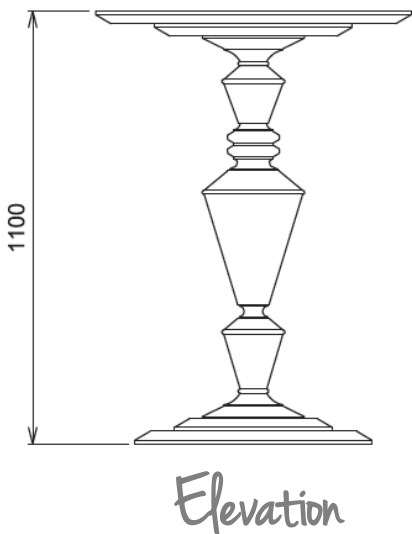
**Lead Time:** 4 weeks

### 10.10.9D.600

Circular Revo Cocktail Table with Deco Stem  
600 Diameter x 1100H

### 10.10.9D.800

Circular Revo Cocktail Table with Deco Stem  
800 Diameter x 1100H



Elevation

More Options.....



# Introducing the Revo Range.....

## Circular Side Table/Stools



Deco Stem

- 1 Would complement a straight edge table
- 2 Designed to withstand a Commercial Environment, made with solid timber
- 3 Unique in it's design, yet still functional.
- 4 Australian designed & manufactured.

**Material:** FCS Timber & EO MR MDF or FCS Timber only

**Finish:** Polyurethane colours or satin with clear poly finish

**Colours:** White/Black/Red Gloss Polyurethane. Other polyurethane colours or Stain colours on request

**Custom sizes:** available on request

**Lead Time:** 4 weeks



Elipse Stem

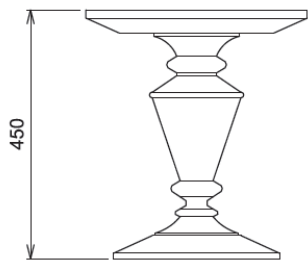
### 10.18C.9D

Circular Revo Side Table/Stool with Deco Stem  
400 Diameter x 450H

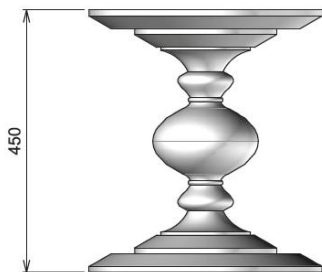
### 10.18C.9E

Circular Revo Side Table/Stool with Elipse Stem  
800 Diameter x 1100H

More Options.....



Deco Stem



Elipse Stem

# Introducing the Revo Range.....

## Circular Coffee Tables



Deco Stem

- 1 Would complement a straight edge table
- 2 Designed to withstand a Commercial Environment, made with solid timber
- 3 Unique in it's design, yet still functional.
- 4 Australian designed & manufactured.

**Material:** FCS Timber & EO MR MDF or FCS Timber only

**Finish:** Polyurethane colours or satin with clear poly finish

**Colours:** White/Black/Red Gloss Polyurethane. Other polyurethane colours or Stain colours on request

**Custom sizes:** available on request

**Lead Time:** 4 weeks

### 10.12C.9D.600

Circular Revo Coffee Table with Deco Stem  
600 Diameter x 450H

### 10.12C.9D.800

Circular Revo Coffee Table with Deco Stem  
800 Diameter x 450H

### 10.12C.9E.600

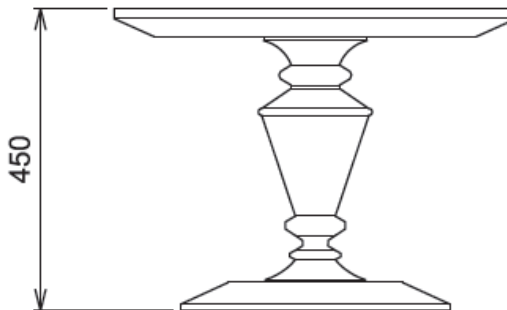
Circular Revo Coffee Table with Elipse Stem  
600 Diameter x 450H

### 10.12C.9E.800

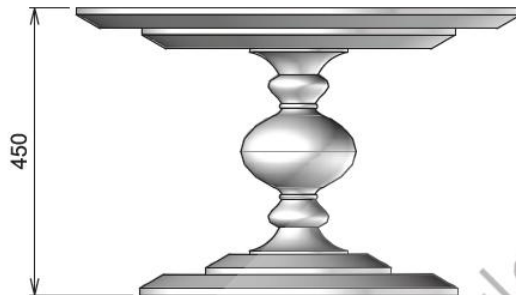
Circular Revo Coffee Table with Elipse Stem  
800 Diameter x 450H



Elipse Stem



Deco Stem



Elipse Stem

More Options.....



# Introducing the Revo Range.....

## Circular Deco Dining Table



- 1 Taking a traditional turned table design and making it modern
- 2 Designed to withstand a Commercial Environment, made with solid timber
- 3 Unique in it's design, yet still functional.
- 4 Australian designed & manufactured.

**Material:** FCS Timber & EO MR MDF or FCS Timber only

**Finish:** Polyurethane colours or satin with clear poly finish

**Colours:** White/Black/Red Gloss Polyurethane. Other polyurethane colours or Stain colours on request

**Custom sizes:** available on request

**Lead Time:** 4 weeks

### 10.14C.9D.800

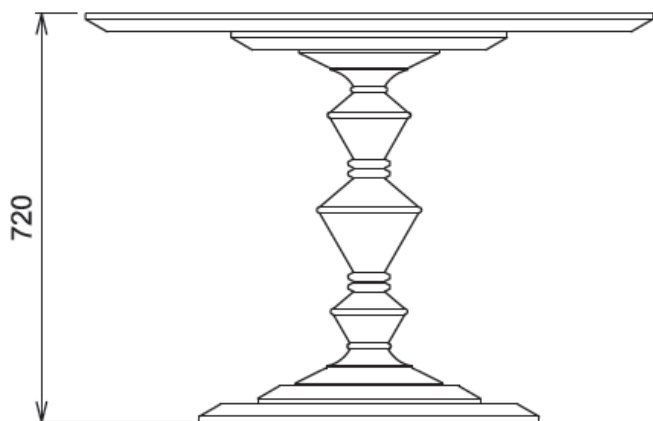
Circular Revo Dining Table (2 Seater)  
with Deco Stem  
800 Diameter x 720H

### 10.14C.9D.1000

Circular Revo Dining Table (4 Seater)  
with Deco Stem  
1000 Diameter x 720H

### 10.14C.9D.1200

Circular Revo Dining Table (6 Seater)  
with Deco Stem  
1200 Diameter x 720H



Elevation

# Introducing the Revo Range.....

## Circular Elipse Dining Table



- 1 Taking a traditional turned table design and making it modern
- 2 Designed to withstand a Commercial Environment, made with solid timber
- 3 Unique in it's design, yet still functional.
- 4 Australian designed & manufactured.

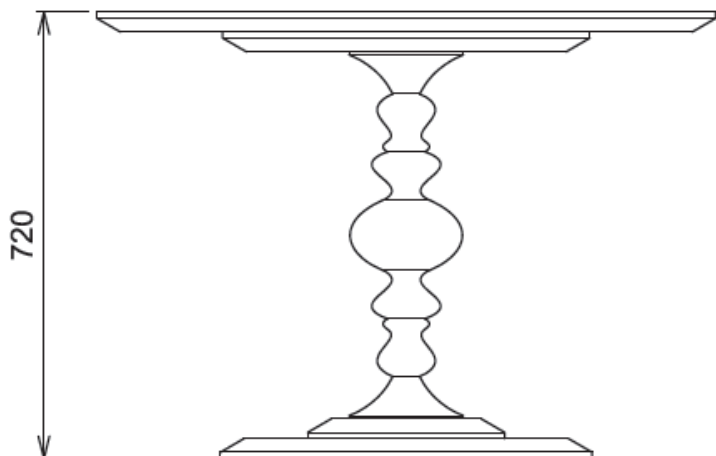
**Material:** FCS Timber & EO MR MDF or FCS Timber only

**Finish:** Polyurethane colours or satin with clear poly finish

**Colours:** White/Black/Red Gloss Polyurethane. Other polyurethane colours or Stain colours on request

**Custom sizes:** available on request

**Lead Time:** 4 weeks



Elevation

### 10.14C.9E.800

Circular Revo Dining Table (2 Seater)  
with Elipse Stem  
800 Diameter x 720H

### 10.14C.9E.1000

Circular Revo Dining Table (4 Seater)  
with Elipse Stem  
1000 Diameter x 720H

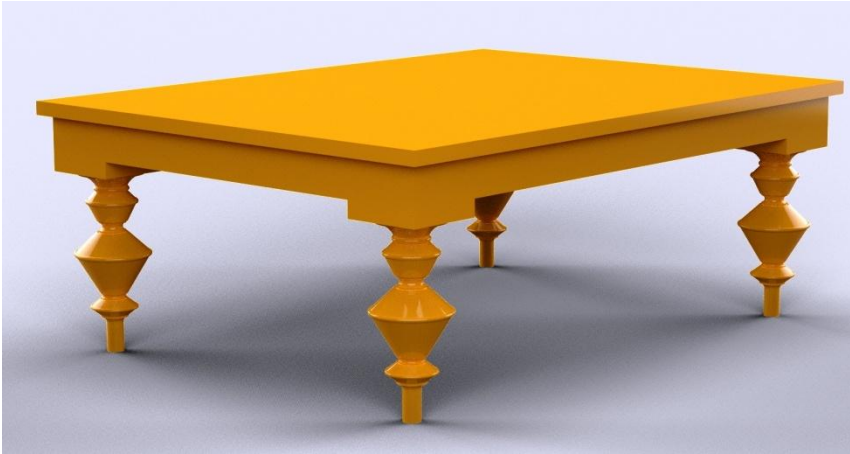
### 10.14C.9E.1200

Circular Revo Dining Table (6 Seater)  
with Elipse Stem  
1200 Diameter x 720H



# Introducing the Revo Range.....

## Rectangular Deco Coffee Table



- ① Taking a traditional turned table design and making it modern
- ② Designed to withstand a Commercial Environment, made with solid timber
- ③ Unique in it's design, yet still functional.
- ④ Australian designed & manufactured.

**Material:** FCS Timber & EO MR MDF or FCS Timber only

**Finish:** Polyurethane colours or satin with clear poly finish

**Colours:** White/Black/Red Gloss Polyurethane. Other polyurethane colours or Stain colours on request

**Custom sizes:** available on request

**Lead Time:** 4 weeks



### 10.12R.9D.800

Rectangular Revo Coffee Table with Deco Stem  
800x800x450H

### 10.12R.9D.900

Rectangular Revo Coffee Table with Deco Stem  
900x600x450H

### 10.12R.9D.1200

Rectangular Revo Coffee Table with Deco Stem  
1200x900x450H

# Introducing the Revo Range.....

## Rectangular Elipse Coffee Table



- 1 Taking a traditional turned table design and making it modern
- 2 Designed to withstand a Commercial Environment, made with solid timber
- 3 Unique in it's design, yet still functional.
- 4 Australian designed & manufactured.

**Material:** FCS Timber & EO MR MDF or FCS Timber only

**Finish:** Polyurethane colours or satin with clear poly finish

**Colours:** White/Black/Red Gloss Polyurethane. Other polyurethane colours or Stain colours on request

**Custom sizes:** available on request

**Lead Time:** 4 weeks



### 10.12R.9E.800

Rectangular Revo Coffee Table with Elipse Stem  
800x800x450H

### 10.12R.9E.900

Rectangular Revo Coffee Table with Elipse Stem  
900x600x450H

### 10.12R.9E.1200

Rectangular Revo Coffee Table with Elipse Stem  
1200x900x450H

More Options....





# Introducing the Revo Range....

## Rectangular Deco Dining Table



- 1 Taking a traditional turned table design and making it modern
- 2 Designed to withstand a Commercial Environment, made with solid timber
- 3 Unique in it's design, yet still functional.
- 4 Australian designed & manufactured.

**Material:** FCS Timber & EO MR MDF or FCS Timber only

**Finish:** Polyurethane colours or satin with clear poly finish

**Colours:** White/Black/Red Gloss Polyurethane. Other polyurethane colours or Stain colours on request

**Custom sizes:** available on request

**Lead Time:** 4 weeks



### 10.14R.9D.2100

Rectangular Revo Dining Table (8 Seater) with Deco Stem 2100x900x740H

### 10.14R.9D.2400

Rectangular Revo Dining Table (8-10 Seater) with Deco Stem 2400x1200x740H

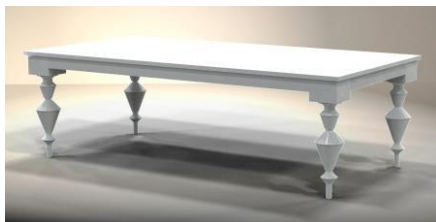
### 10.14R.9D.2700

Rectangular Revo Dining Table (10 Seater) with Deco Stem 2700x1200x740H

### 10.14R.9D.3000

Rectangular Revo Dining Table (10-12 Seater) with Deco Stem 3000x1200x740H

## More Options....



# Introducing the Revo Range.....

## Rectangular Elipse Dining Table



- 1 Taking a traditional turned table design and making it modern
- 2 Designed to withstand a Commercial Environment, made with solid timber
- 3 Unique in it's design, yet still functional.
- 4 Australian designed & manufactured.

**Material:** FCS Timber & EO MR MDF or FCS Timber only

**Finish:** Polyurethane colours or satin with clear poly finish

**Colours:** White/Black/Red Gloss Polyurethane. Other polyurethane colours or Stain colours on request

**Custom sizes:** available on request

**Lead Time:** 4 weeks



### 10.14R.9E.2100

Rectangular Revo Dining Table (8 Seater) with Elipse Stem  
2100x900x740H

### 10.14R.9E.2400

Rectangular Revo Dining Table (8-10 Seater) with Elipse Stem  
2400x1200x740H

### 10.14R.9E.2700

Rectangular Revo Dining Table (10 Seater) with Elipse Stem  
2700x1200x740H

### 10.14R.9E.3000

Rectangular Revo Dining Table (10-12 Seater) with Elipse Stem  
3000x1200x740H